



art metal

# 37 JUPITER K LED

F.P.H. Art Metal Sp.j.

Ul. Jabłoniowa 124, 83-331 Łapino Kartuskie, Poland  
Tel. 0048 58 681 80 78, Fax: 0048 58 681 80 64  
www.art-metal.pl e-mail: biuro@art-metal.pl

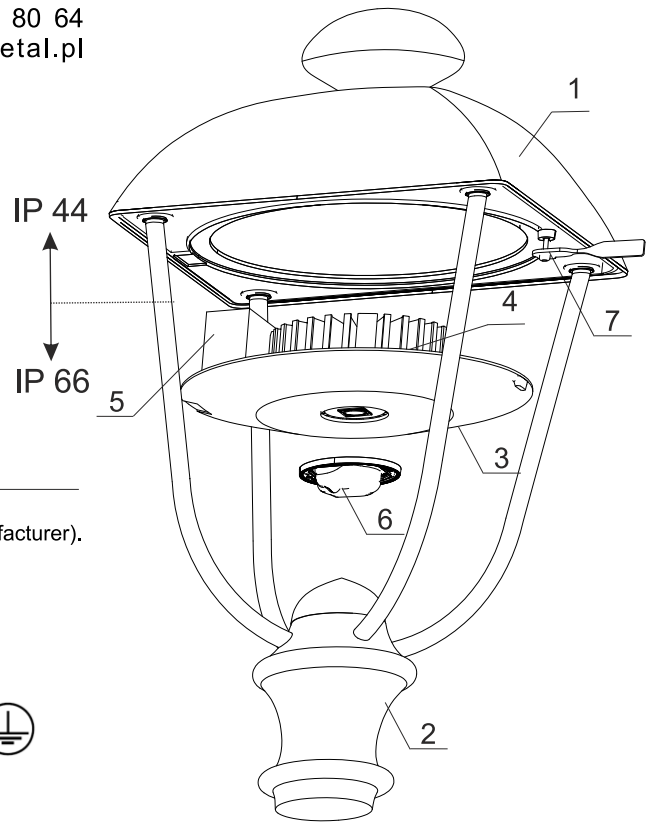
### Construcion:

The unit consists of aluminum body (1), located centrally above the mounting to the pole (2). The radiator (4) with LED module and power supply (5) is mounted with the disk (3) inside the luminary body (1). LED module is tightly closed with silicone lens (6). The disk (3) is mounted to the body (1) with a hinge and closed with a screw (7) so no additional tools are necessary.

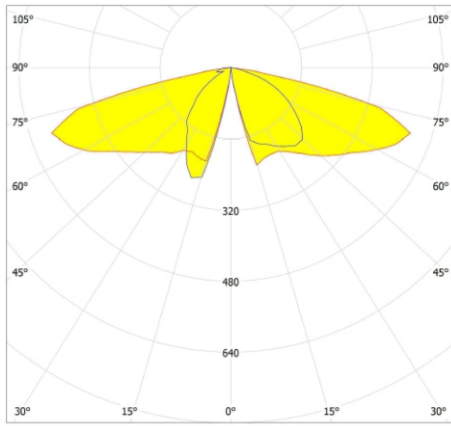
### Mounting instruction:

- Screw the radiator (4) with a LED module and lens (6) to the disk (3)
- Connect the electrical cables according to the marking
- Mount the disk (3) to the body (1) and secure with screw (7)
- Luminary is mounted on the top of the pole on  $\varnothing 60 - \varnothing 76$  diameter.
- Place the luminary on correct position and lock with screws in pole mounting (2).

If any lantern elements are supplied factory-mounted, the mounting stages marked with \*) should be omitted (as this has already been done by the manufacturer).



### TECHNICAL DATA:



Photometry (polar plot)

Power: ~230/50Hz

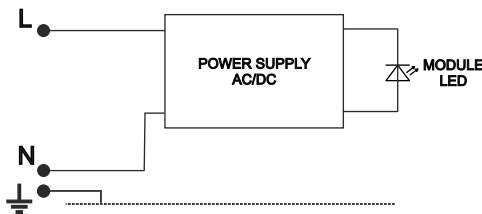
Protection class: I

IP44 -electrical part

IP65 -optical part



### ELECTRICAL DIAGRAM:



1.Module LED

Type	Light-prod. element	Luminous flux[lm]		Weight [kg]	Pn [W]	Luminary dimensions	
		3000K	4000K			L	H/B
37L-33W	NZL33(Cree)	3777	4062	9,5	33		L/H/B 700/370/370
37L-38W	NZL38(Cree)	4227	4546	9,5	38		
37L-50W	NZL50(Cree)	5228	5622	9,5	50		
37L-58W	NZL58(Cree)	5784	6220	9,5	58		

**WARNING !!** The weight of the unit may slightly differ for individual production batches.

